

Turku University of Applied Sciences

# HybridContainer

## Project duration

1.4.2023 - 30.9.2025

## Operating sphere

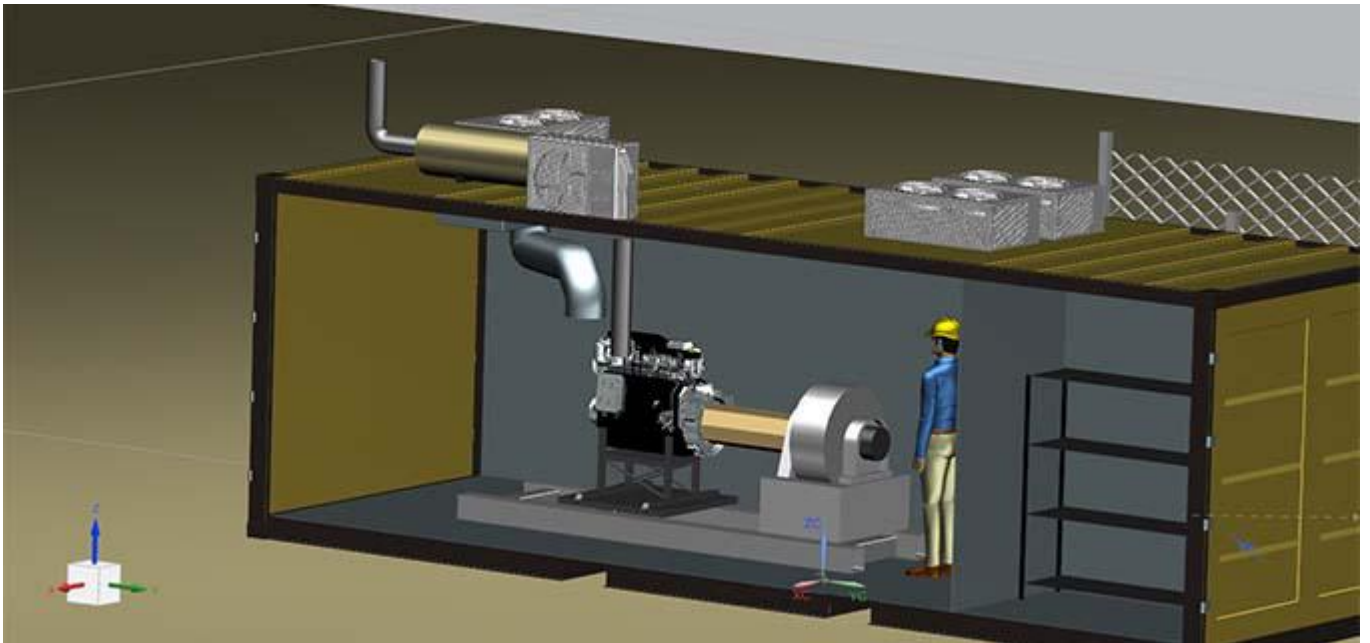
Regional National

## Total funding

487 788 €

## TUAS budget

487 788 €



# HybridContainer